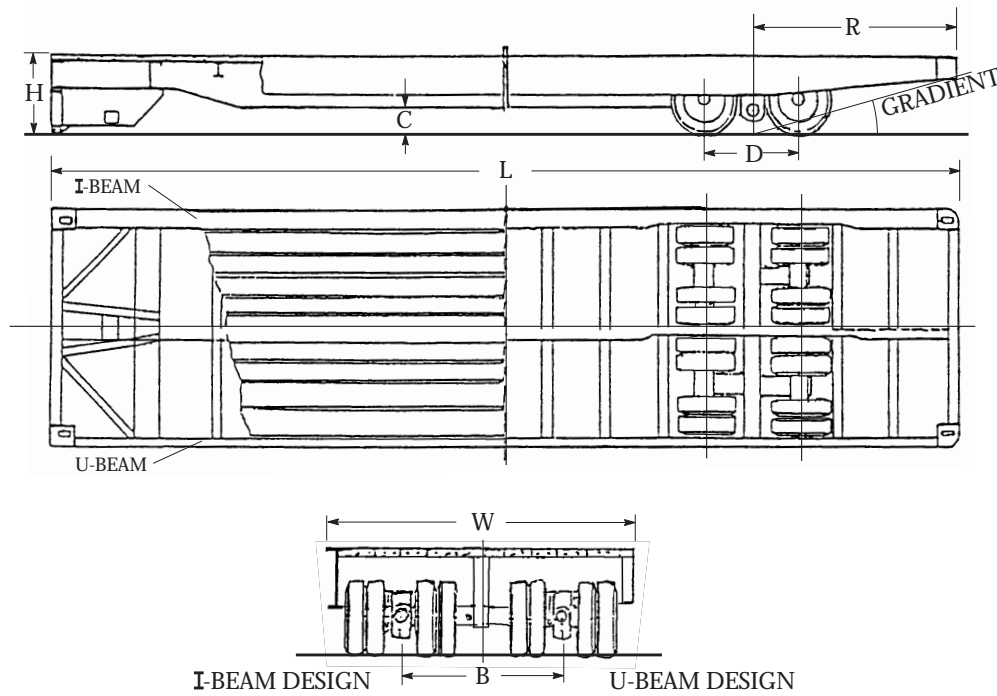


18.1: Rolltrailers and Accessories	2
18.2: Truck & Trailer Record Holders & Log Books	9
18.3: Smoke Bombs	10
18.4: Tools & Shop Items	11
18.5: RF Identification Devices	12
18.6: Drehtainer/Container Straightening Machine	14
18.7: 20-Ton Tie Down Assembly	16
18.8: Reefer Lashing Points	18
18.9: Promotional Items	11

18.1 Rolltrailers and Accessories

18.1.1: ROLLTRAILERS

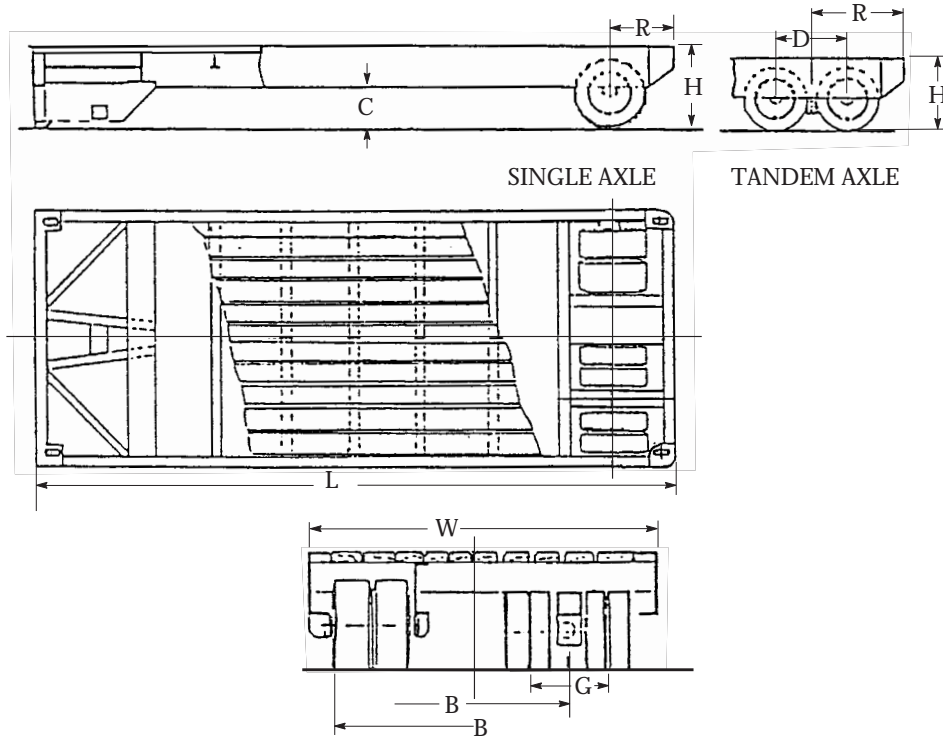
03.05.002



Technical Data	40'/40 Ton	40'/60 Ton	40'/80 Ton
Nominal Capacity (Ton)	40	60	30
Container Capacity (Ton)	40	60	30
Load Configuration	4 x 20' or	1 x 40' + 2 x 20' or	2 x 40
Tare Weight (kg)	5,600	6,600	7,900
Platform Size - L x W	12,260 x 2,500 mm	12,260 x 2,500 mm	12,260 x 2,500 mm
Platform Height (mm)	720	720	840
Gradiability (%)	22	28	25
Ground Clearance (C)	245 mm	320 mm	290 mm
Rear Overhang (R)	3,123 mm	3,123 mm	3,123 mm
Axle Base (B)	1,600 mm	1,350 mm	1,250 mm
Wheel Base (D)	800 mm	1,000 mm	1,000 mm
Wheel Diameter/Width	540 x 200	550 x 320	540 x 400
Axle Load	16,832 kg	24,583 kg	32,445 kg
Wheel Load	4,208 kg	6,146 kg	8,111 kg
Fifth Wheel Load (including gooseneck)	14,437 kg	19,914 kg	25,510 kg

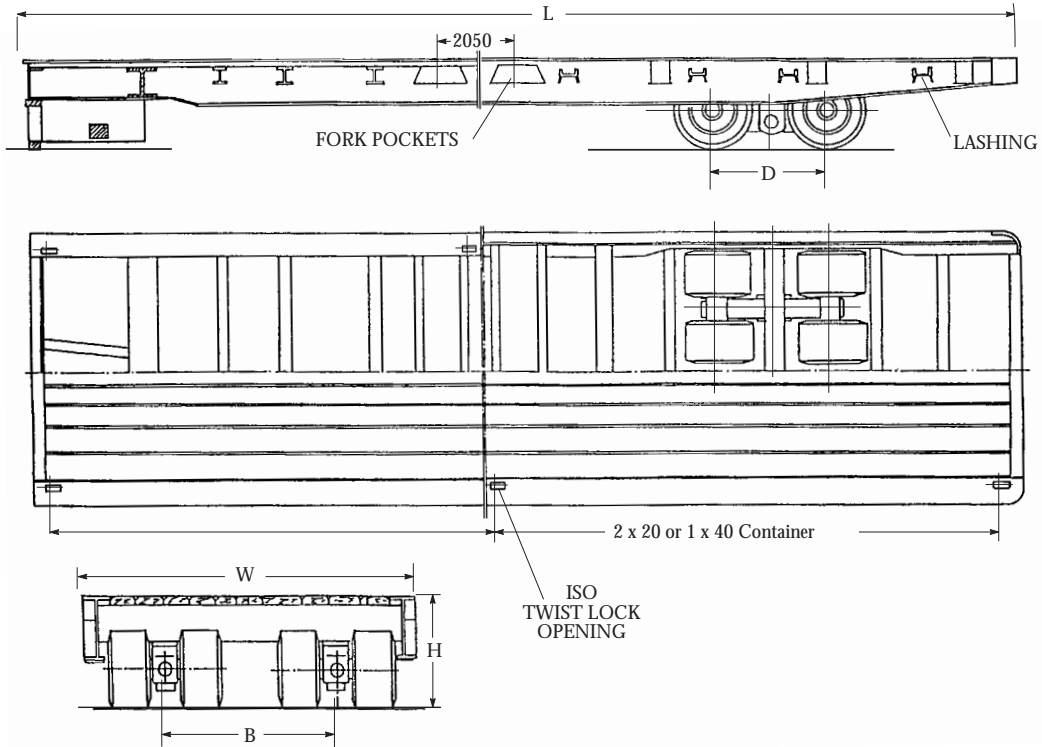
18: Rolltrailers, Specialty Products & Misc.

03.05.001



Technical Data	20'/25 Ton	20'/40 Ton
Nominal Capacity (Ton)	25	40
Container Capacity (Ton)	25	40
Load Configuration	1 x 20'	2 x 20'
Tare Weight (kg)	2,370	3,300
Platform Size - L x W	6,118 x 2,500 mm	6,118 x 2,500 mm
Platform Height (H)	650 mm	650 mm
Gradiability (%)	33	33
Ground Clearance (C)	250 mm	250 mm
Rear Overhang (R)	400 mm	400 mm
Axle Base (B)	1,600 mm	1,300 mm
Wheel Base (D)		
Wheel Diameter/Width	540 x 200	540 x 400
Axle Load	18,350 kg	28,828 kg
Wheel Load	4,588 kg	7,207 kg
Fifth Wheel Load (including gooseneck)	11,520 kg	16,672 kg

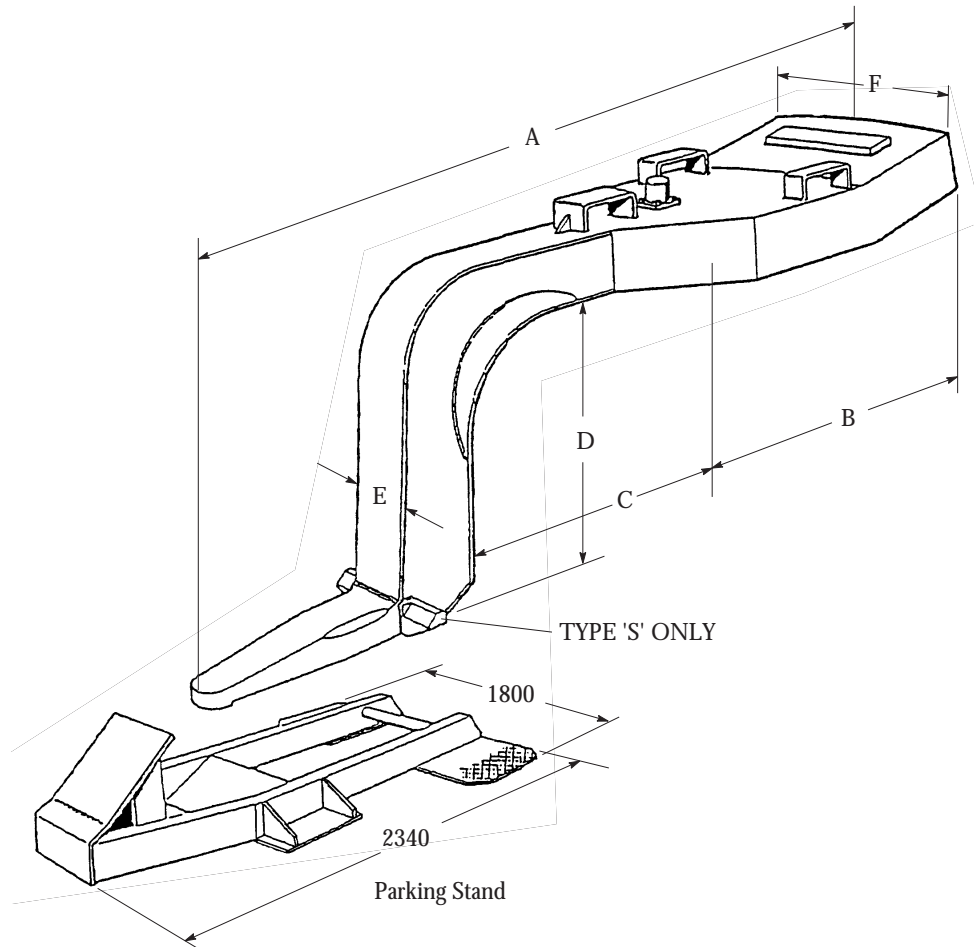
40' Rolltrailer



18: Rolltrailers, Specialty Products & Misc.

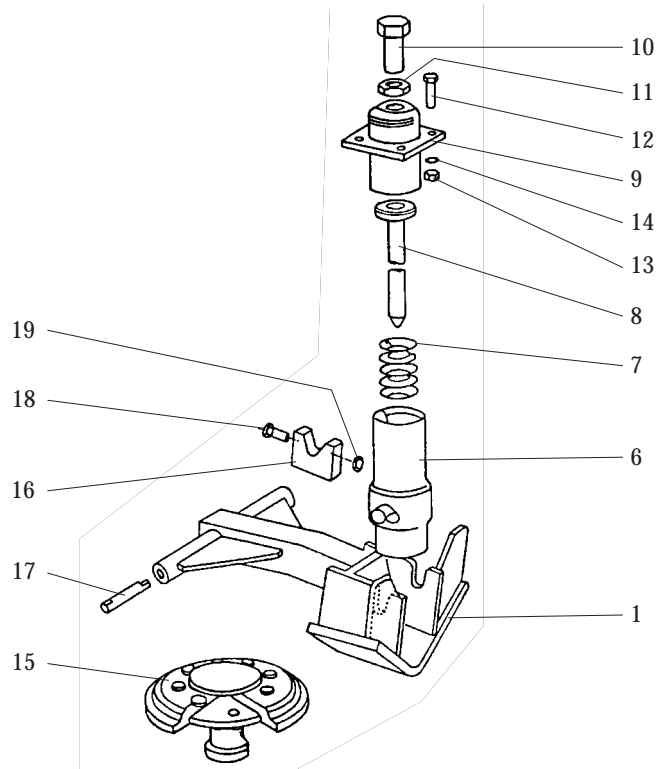
18.1.2: GOOSENECKS

Gooseneck



Type	Max. Fifth Wheel Load (Tons)	Max. Trailer Weight (Tons)	A (mm)	B (mm)	C (mm)	D (mm)	E (mm)	F (mm)	Dead Weight Approx. (kg)
20 F	20	50	4330	1280	1740	1200	340	900	2440
20 SF	20	50	4350	1300	1740	1200	340	900	2516
25 F	25	80	4430	1340	1740	1235	340	900	2840
25 SF	25	80	4450	1360	1740	1235	340	900	2920
30 SF	32	120	4460	1410	1740	1350	340	900	3170

Gooseneck Brake Complete

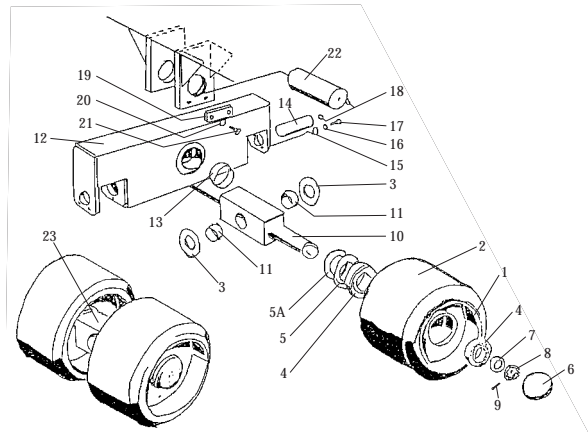
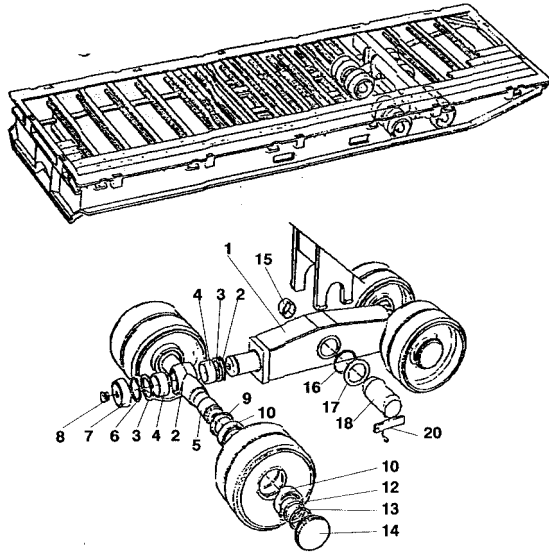


1. Swivelling Key	12. Spanner Bolt
6. Spring Socket	13. Hexagon Nut
7a. Belleville Spring Washer SH 25 Dimensions 60 x 30, 5 x 3.5	14. Spring Ring
7b. Belleville Spring Washer SH 16 Dimensions 60 x 30, 5 x 3.0	15. King-Pin Complete with Mounting Plate
8. Bolt Complete	16. Bearing
9. Covering Cap	17. Bolt
10. Spanner Bolt	18. Spanner Bolt
11. Hexagon Nut	19. Hexagon Nut

18: Rolltrailers, Specialty Products & Misc.

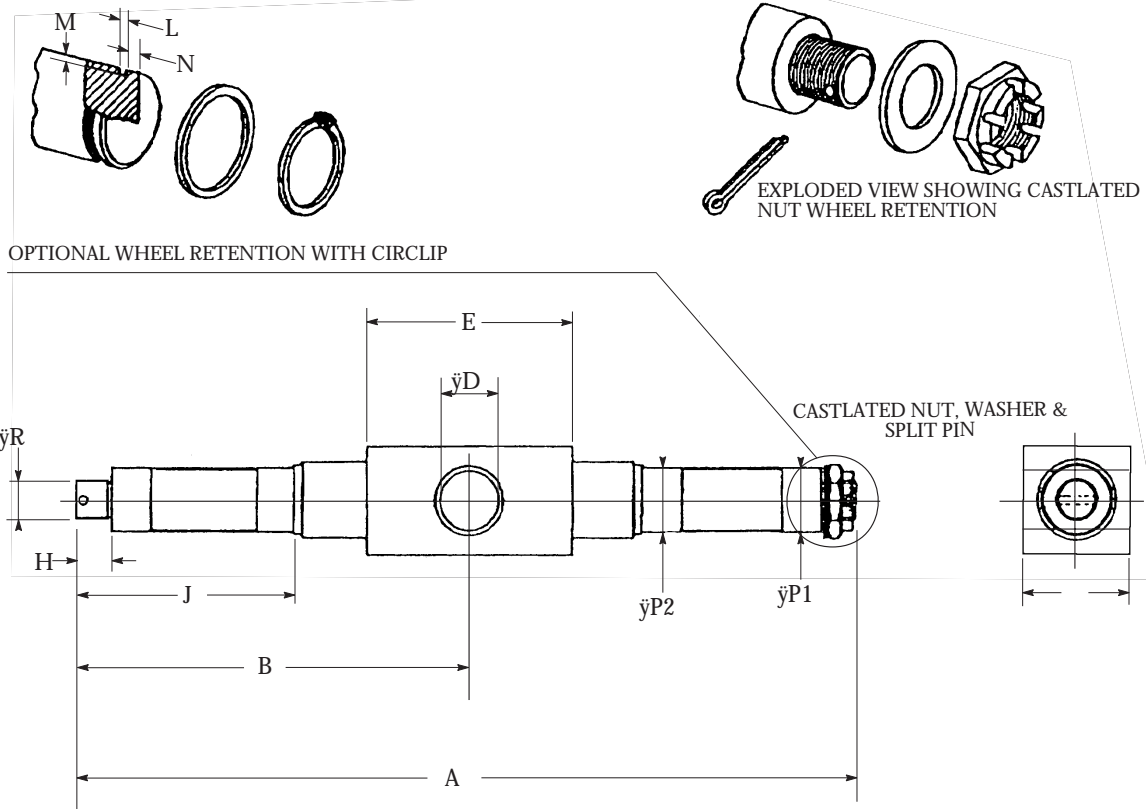
18.1.3: RUNNING GEAR/AXLE ASSEMBLIES

40'/40-Ton Rolltrailer Running Gear/Axle Assembly | **40'/60-Ton Rolltrailer Running Gear/Axle Assembly**



1. Rocker	8. Plug	15. Bushing	1. Rim	8. Locking Nut	16. Washer
2. O-ring	9. Sealing Ring	16. O-ring	2. Rubber Tire	9. Locking Pin	17. Screw
3. Supporting Ring	10. Bearings	17. Adjusting Washer	3. Washer	10. Wheel Axle	18. Greasing Nipple
4. Bearing Ring	11. Wheel	18. Pin	4. Ball Bearing (Roller Bearing)	11. Axle Bushing	19. Locking Plate
5. Pendular Axle	12. Supporting Ring	19. Axle Guard	5. Sealing Ring	12. Rocker Arm	20. Washer
6. Locking Ring	13. Locking Ring	20. Clamping Sleeve	5a. Dust Seal	13. Rocker Arm Bushings	21. Screw
7. Metal Cap	14. Hub Cap		6. Hub Cap	14. Axle Bolt	22. Rocker Arm Bolt

Axle Assembly



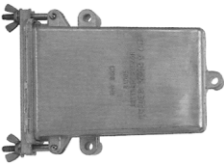
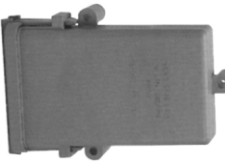



18: Rolltrailers, Specialty Products & Misc.

18.2 Truck & Trailer Record Holders & Log Books



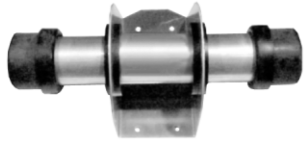
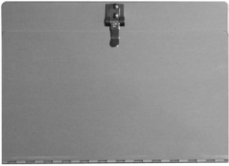



18.2.1: JAMES KING TRUCK & TRAILER RECORD HOLDERS




<p>#300 Aluminum Holder</p>  <p>Outside size: 5.25" x 7" x 2"</p> <p>1. JKG300 Complete 2. JKG300-LID Lid only 3. JKG300-BOLT-KIT</p>	<p>#350 Xenoy Holder</p>  <p>Outside size: 5.25" x 7" x 2"</p> <p>1. JKG350 Complete 2. JKG350-LID Lid only 3. MTR300 Generic</p>	<p>#500 Hi-impact Plastic Holder</p>  <p>Outside size: 11.5" x 16" x 1.5"</p> <p>1. JKG500 Complete</p>
<p>#500E Stand Up Envelope</p>  <p>Translucent-waterproof Hardboard stiffener 9.5" x 12.0"</p> <p>1. JKG500E Complete</p>	<p>#550 Hi-impact Plastic Holder</p>  <p>Outside size: 10" x 15" x 1.25"</p> <p>1. JKG550 Complete</p>	

18.2.2: MISCELLANEOUS TRUCK & TRAILER RECORD HOLDERS

<p>Round ID Card Holder</p>  <p>1. BETPS1 Complete 2. BETPS71 Cover only 3. MTR1001 Complete 4. MTR1007P Complete w/Pro-Par logo 5. 20TL97962 Cover only 6. 20TL97960 Complete</p>	<p>Aluminum Manifest Box</p>  <p>8" x 13" x 1.5"</p> <p>1. MTR1002W Wabash 2. PEN10-01W Wabash 3. MTR1002P Pro-Par 4. MTR1002 No logo 5. PEN10-01 No logo</p>	<p>Aluminum Tube Registration Holder</p>  <p>1. TIS158-CK Complete 2. MTR1003 Complete 3. TIS158-E Rubber end only</p>
<p>Registration Holder</p>  <p>12-1/2" x 8-3/4"</p> <p>1. JJK1RSP-DD</p>	<p>Certificate Holder</p>  <p>1. 20PMB45</p>	

18: Rolltrailers, Specialty Products & Misc.

18.3 Smoke Bombs


Part Number	Time	Figure
SSC3-C	3 minute	

18: Rolltrailers, Specialty Products & Misc.


18.4 Tools & Shop Items

18.4.1: BITS & HOLDERS


18.4.1.1: TX STYLE BITS

Part Number	Hex Size	Figure
TOL440-TX-20	1/4"	
TOL440-TX-25	1/4"	
TOL440-TX-27	1/4"	
TOL440-TX-30	1/4"	
TOL440-TX-40	1/4"	
TOL440-TX-45	1/4"	
TOL480-TX-30	5/16"	
TOL480-TX-40	5/16"	
TOL480-TX-45	5/16"	
TOL480-TX-50	5/16"	

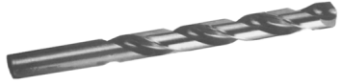
18.4.1.2: PHILLIPS BITS

Part Number	Hex Size	Point Size	Figure
TOL440-P2	1/4"	No. 2	
TOL480-P2	5/16"	No. 2	
TOL480-P3	5/16"	No. 3	

18.4.1.3: BIT HOLDERS

Part Number	Hex Size	Drive	Figure
TOL855	1/2"	5/16"	
TOL858	1/4"	1/4"	

18.4.2: DRILL BITS

Part Number	Hex Size	Type	Figure
TOL41-11763	7/32"	Heavy duty	
TOL41-11765	1/4"	Heavy duty	
TOL41-11766	17/64"	Heavy duty	

18.4.3: GLOVES

18.4.4: NYLON CABLE TIES

18.4.5: SAFETY GLASSES

18.5 RF Identification Devices

18.5.1: AMTECH TAGS

AT5100 TollTag - 915 MHz Tag, Full Frame	AT5102 Access Control Tag 915 MHz, Half Frame
AT5105 Access Control Tag - Multifrequency (915 MHz/2450 MHz), Half Frame	AT5106 Access Control Tag, Half Frame
AT5107 Access Control Tag - Multifrequency (915 MHz/2450 MHz), Half Frame	AT5110 Transportation Tag - 915 MHz, beam, Full Frame
AT5112 Access Control Transportation Tag - 915 MHz, Half Frame	AT5113 Transportation Tag - 915 MHz, beam, Full Frame
AT5114 Transportation Tag - 64 bits, 915 MHz 10 year battery, Half Frame	AT5125 Transportation Tag - 915 MHz, high temperature case beam
AT5140 License Plate Mount TollTag - 915 MHz, Full Frame	AT5145 License Plate Mount TollTag - 915 MHz, Full Frame
AT5146 License Plate Tag - 64 bits, 915 MHz, Half Frame	AT5147 License Plate Tag - 64 bits, 915 MHz, Half Frame
AT5510 Transportation Tag - multifrequency (915 MHz/2450 MHz), Full Frame	AT5544 TollTag - Multifrequency (915 MHz/2450 MHz) 10 year battery, Full Frame, window mount
AT5545 TollTag - Multifrequency (915 MHz/2450 MHz) 10 year battery, Full Frame, window mount	AT5547 TollTag - Multifrequency (915 MHz/2450 MHz) Full Frame
AT5704 Dynamic Tag - up to 256 frames - multifrequency (915 MHz/2450 MHz)	AT5720 Dynamic Check Tag
IT2221 Interior Type II Tag w/ Buzzer, LED and Battery options, 915 MHz	IT2235 Interior Type III Tag w/ LCD, 3 LEDs, button and buzzer, 915 MHz
AT5801 Tag: 5.8 GHz CEN, GSS, A1 Compliant	

18.5.1: AMTECH READERS

AI1200 Reader, industrial environment, 915 MHz	AI1202 Reader, 12VDC, harsh environment, 915 MHz
AI1301 Reader on a card	AI1611 SmartPass Reader - 2450 MHz
AI1620 SmartPass Reader - 915 MHz	AH1101 Handheld Reader, 915 MHz
IT2020 ISA Read/Write Reader Card - Multimode Option, 915 MHz	AI5810 Reader Card: 5.8 GHz CEN, GSS, A1 Compliant

18.5.1: AMTECH RF MODULES

AR2200 RF Module, 915 MHz	AR2602 RF Module, 2450 MHz, 1 ch., 300 MW
AR2603 RF Module, 2450 MHz, 1 ch., 50 MW	IT2611 - RF Read/Write Module - Multimode/Monostatic & Bistatic Options, 915 MHz
AR5800 Antenna/RF Module: 5.8 GHz CEN, GSS, A1 Compliant	

18.5.1: AMTECH ANTENNAS

AA3100 Yagi Antenna - 915 MHz	AA3110 Parapanel Antenna (SCALA) - 915 MHz
AA3140 PCB Log Periodic Antenna - 915 MHz	AA3152 Universal Toll Antenna - 915 MHz

18.5.1: AMTECH PROGRAMMER MODULES

AP4110 Programmer Module

18.5.1: AMTECH TOOLS

AS8003 Plug Removal Tool

AS8010 Plug Insertion Tool

18.5.1: EGO

eGo Windshield Sticker Tag	eGo 2110 Reader
eGo 2101 Reader	eGo 2210 Reader
eGo 2201 Reader	

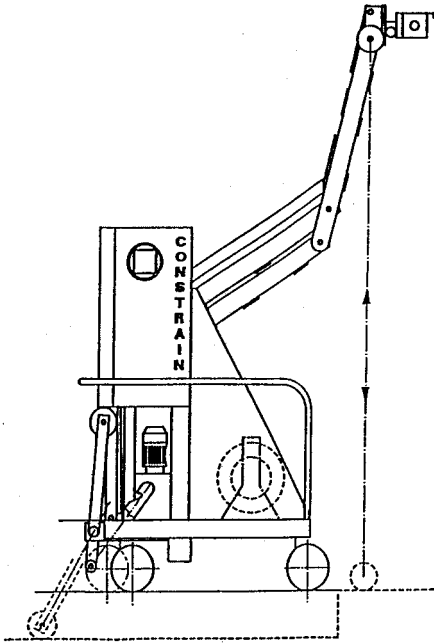
18.5.1: FLEET SOFTWARE

SmartWatch Access

18: Rolltrailers, Specialty Products & Misc.

18.6 Drehtainer/Container Straightening Machine

Constrain Machine



Container straightening made efficient, economical and simple. The Constrain Machine reduces labor costs by reducing the amount of labor required to fix a container.

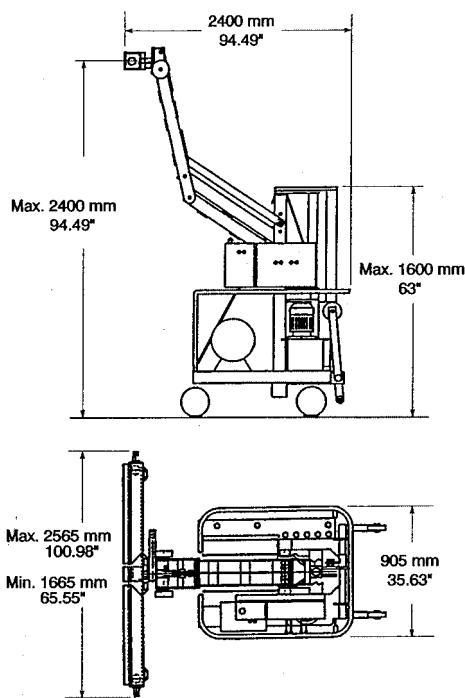
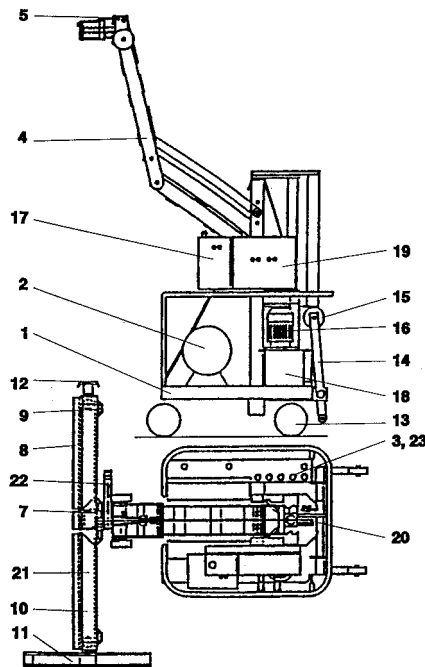
Components that can be straightened:

- All roof, side, front and door panels
- All top, bottom side, front end and rear end rails
- Corner posts
- J-bars
- Crossmembers

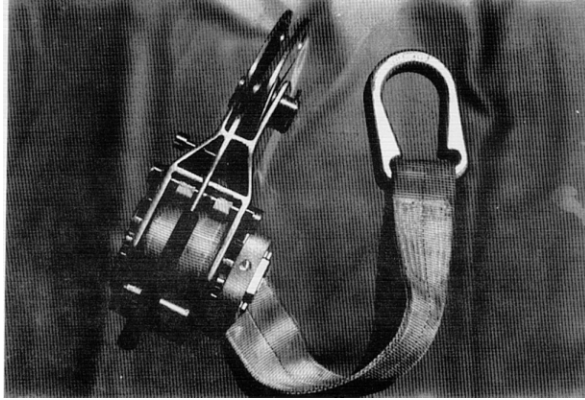
The Constrain Machine can push horizontally, perpendicularly, vertically, and diagonally.

There is minimal hammering necessary, improving the quality of repair. Damaged areas can now be easily made square and true. No additional damage to the container coating should occur. The noise level involved in repair is greatly reduced, and worker safety is greatly increased. The whole operation can be simplified to one man.

Electro hydraulic machine
Voltage: 220V/AC, 50 cycles (other voltages on request)
Motor: 1.1 kW
Hydraulic pressures: 320/115 bar
Maximum push force on hydraulic cylinders: 4 metric tons

Constrain Machine			
Dimensions and Weights		Parts	
			
<p>Weight Machine without accessories: 480 kg Machine with accessories and packaging: 665 kg</p>		<ol style="list-style-type: none"> 1. Chassis 2. Cable Drum 3. Extension Rods 4. Beam Supports 5. Beam Support, "Head" 6. (Lamp) 7. Pressure Beam 8. Guide Rail 	<ol style="list-style-type: none"> 9. Hook 10. Pressure Arms 11. Support Profile 12. Straight Profile 13. Wheels 14. Swivel Arms 15. Casters 16. Electric Motor 17. Electric Control 18. Pump Unit 19. Hydraulic Control 20. Free-life Cylinder 21. Beam Cylinder 22. Turning Cylinder 23. Hand-held Cylinder

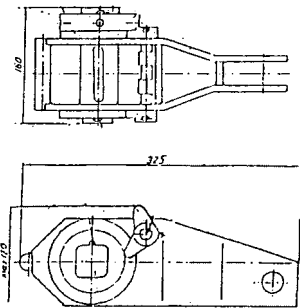
18.7 20-Ton Tie Down Assembly



Ratchet

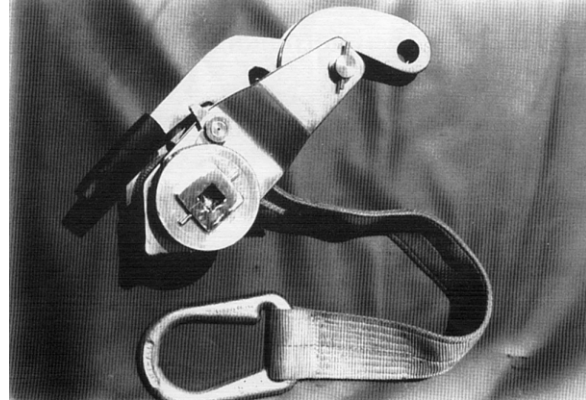
Standard ratchet consists of:

1. Yoke-type body
2. 1 7/8" diameter slotted tensioning spindle with a 1 7/8" square on one end and a 1 1/2" square on the opposite end. (Option: A 3/4" square hole cut into the 1 7/8" square end for use with a ratchet or impact tool.)
3. Two symmetrical locking gears and spring-loaded cogs
4. Deck-fitting attachment, fitted into a one-inch shaft at small end of yoke
5. Handwheel is knurled alloy steel construction with four 1/2" mandral holes. (Optional 72S Aluminum or special wrench for 1 7/8" square end)
6. Alloy steel construction, with a 20-ton certified breaking strength.



Optional stainless steel construction.

Deck fittings can be specified by the individual end user.



Webbing Assembly

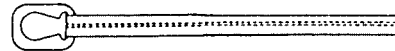
Sling Webbing:

- 3" wide 100% nylon, two-ply weave with stuffer construction
- 9800 lb/inch of width breaking strength
- Red core yarn warning system
- Elasticity - the stretch characteristics depend upon the type yarn and the web finish
- Date stamped for service life

Approximate stretch at rated sling capacity is:

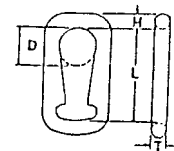
- Nylon - Treated - 10%
- Nylon - Untreated - 6%
- Polyester - Treated - 7%
- Polyester - Untreated - 3%

*Option: Tuff-Edge webbing - polymer coated yarns are woven into the edges of the Tuff-Edge. Independent lab tests prove it to be 67% more resistant to edge abrasion and 30% more resistant to edge cutting than standard sling webbing. Laboratory results may differ from individual application circumstances.



Unilink:

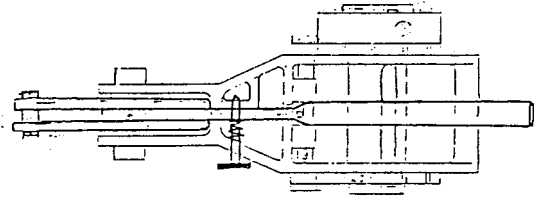
- Forged, high carbon steel with zinc dichromate plated finish to resist corrosion
- May be rewebbed with recertification to reduce replacement costs
- Larger hook opening than triangle or choker fittings
- Smooth rounded profile



Web Width	Code	Dimension in Inches				Weight in lbs.	Capacity Rating (lbs.)
		L	D	H	Thick		
3"	SU3	5 1/4	3	1	5/8	3.2	10,800

18.7 20-Ton Tie Down Assembly

Ratchet can also be supplied with a quick-release handle, consisting of an over-center lock in conjunction with an "L" type connecting link and a spring-loaded 3/8" locking pin to hold the center lock in the loaded position.



Unilink Attachments:

Pear Link:

- Chain Diameter (inches): 1/2
- Working Load Limit (lbs.): 12,000
- Weight/Pieces (7.5)



Short Link Chain: 1/2" grade 80 alloy steel chain, cut at 3 ft. lengths; attached to pear link



Note: Unilink can be custom outfitted to meet individual customer requirements (i.e., chain, chain fittings, hooks, shackles, etc.)

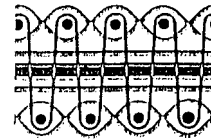
Alterations, adjustments and changes that can be made to meet individual customer needs without compromising the integrity of the design are as follows.

1. Choice of spring device:
 - Coil spring size, number of winds and materials
 - Plunger spring - stainless nose or Delrin
2. Handwheel can be made of 72S aluminum or stainless with knurled shape
3. Deck fitting - fitted into 1" shaft bolt - can be exchanged to suit deck requirements
4. 1" hole can accommodate shaft or bolt with 20-ton shear or better
5. Tiedown assembly can be assembled for left or right tightening
6. Tiedown assembly is field repairable
7. All 3/16" roll pins can be stainless steel, carbon steel or cadmium plated
8. Holes in handwheel can be made to fit any mandril and can be made with 4 or 6 positions.
9. Webbing:
 - Webbing types are interchangeable
 - Webbing end fittings can be made to customer needs and specifications

Sling Webbing

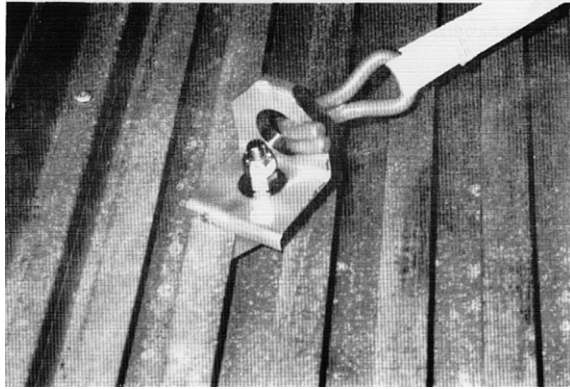
- Transverse pick yarns inter-relate with binder yarns
- Woven surface yarns cover each side and carry a portion of the load
- Strip of longitudinal core yarns bears majority of load
- Binder yarns secure the surface yarns to web core yarns
- Red core warning yarns

Sling webbing, as graphically demonstrated, has its surface yarns connected from side to side to not only protect the core yarns but to position all surface and tensile yarns to work together to support the load. Wear or damage to face yarns does have an immediate strength loss effect on the sling webbing. This is why sling webbing has red core yarns to visually reveal damage and act as a basis for sling rejection.

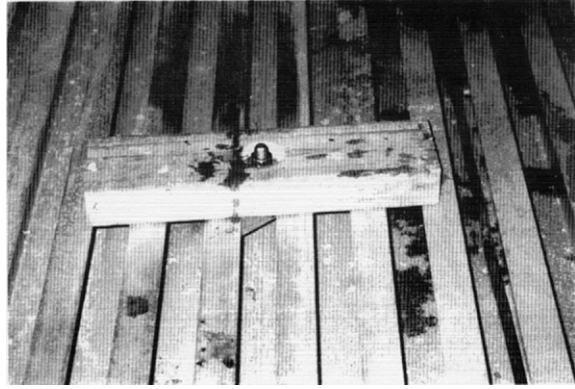


18.8 Reefer Lashing Points

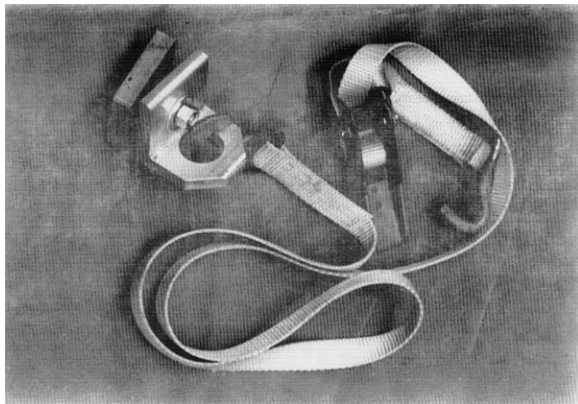
Reefer Lashing Point Application



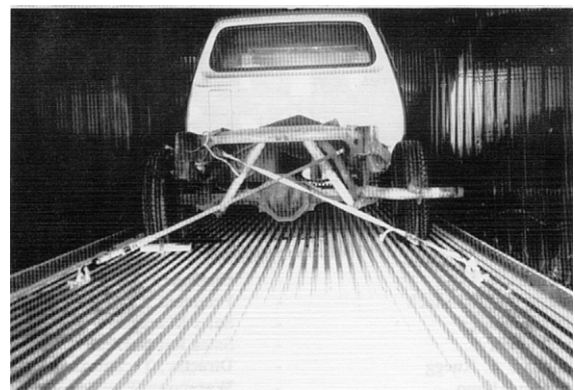
Lashing Point



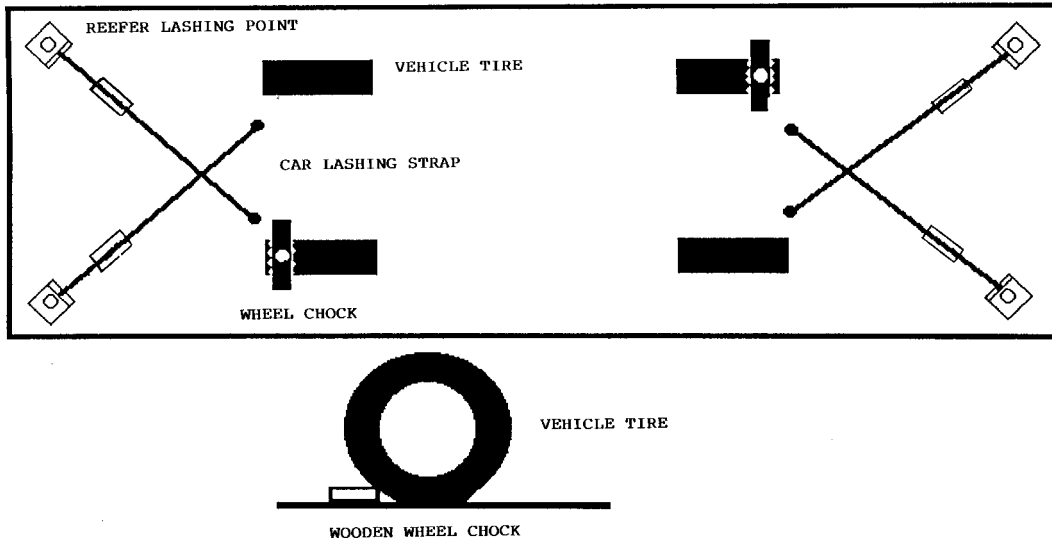
Wheel Chock



Car Lashing Straps



18: Rolltrailers, Specialty Products & Misc.



40-45 Foot Reefer

18: Rolltrailers, Specialty Products & Misc.

18.9 Promotional Items

18: Rolltrailers, Specialty Products & Misc.